

# NIMBO-24

## CABINET LOUDSPEAKERS

*Top performance cabinet loudspeaker*



### PRODUCT OVERVIEW

**NIMBO-24** is a premium performance 2-way passive loudspeaker with 80W RMS power, in a compact size with extended low frequency response. Suitable for outdoor applications, with a cloud-inspired design, result of Ecler's engineering skills and the collaboration of architects and interior designers.

Including 2 x 4" woofers and a 1" silk tweeter located in the acoustic centre, acting as a single point source to disperse the sound evenly.

The nominal impedance of the speaker can be selected to 4 ohm or 16 ohm thanks to the front switch located behind the logo, which allows to modify its impedance without removing the aluminium front grille.

It includes the robust VEASY wall bracket, allowing tilt and pan adjustment using a single screw.

### KEY FEATURES

- 2-way passive loudspeaker for surface mounting.
- 2x 4" woofers with 4-layer voice coil improves power handling and low frequency response.
- 1" silk tweeter with neodymium magnet and ferrofluid.
- Bass reflex port.
- ABS reinforced with fiberglass non resonant compact enclosure.
- Wide dispersion pattern.
- Stack Output.
- VEASY bracket compatible with VESA 75 included. Quick and easy to install, including jumps and markings for repeating speaker orientation.
- Weather-protected with an IP-44 rating.
- Available in white, black and gold colour.
- RAL paint customization available.
- [Ecler Loudspeakers EQ Settings available.](#)
- [EASE files available.](#)



### APPLICATIONS

- Retail
- Education
- Corporate
- Leisure
- Sports & Wellness
- Hospitality

## TECHNICAL SPECIFICATIONS

## NIMBO-24

SYSTEM	
Effective Freq. Range <sup>1</sup>	62Hz-20kHz (-10dB)
Coverage angle <sup>2</sup>	165°x150° (HxV)
Power handling	80 W RMS / 320 W Peak
Sensitivity <sup>3</sup>	84 dB (1W/1m)
Maximum SPL <sup>4</sup>	103 dB continuous / 109 dB peak
Recommended amplifier power	150W RMS
TRANSDUCERS	
Ways	2-ways full range
Low frequency driver	2 x 4" Woofer
High frequency driver	1" Silk Dome Tweeter
Nominal impedance	4Ω / 16Ω
FILTERS	
Crossover filter	1,65 KHz
PHYSICAL	
Connection type	Double INPUT/LINK connector, Euroblock type
Power type selector	Front selection by toggle switch
Installation options	Surface / Wall mounting
Environmental	IP44
Enclosure material	ABS reinforced with fibreglass
Grille material	Aluminium
Grille fixing system	Pressure mount system
Mounting system	Stainless Steel VEASY bracket
Operating temperature	Min: 0°C ; 32°F Max: 35°C ; 95°F
Operating humidity	<85% HR
Storage temperature	Min: -10°C ; 14°F Max: 50°C ; 122°F
Storage humidity	<90% HR
Finished colour	White (RAL9003), Black (RAL9005) or Gold (RAL1036, approx.)
Dimensions (WxHxD)	364 x 178 x 185 mm / 14.41 x 7 x 7.28 in.
Weight	3 kg / 6.61 lb
Pieces per box	1
Shipping dimensions (WxHxD)	450 x 310 x 300 mm / 17.71 x 12.20 x 11.81 in.
Shipping weight	5.7 kg / 12.57 lb

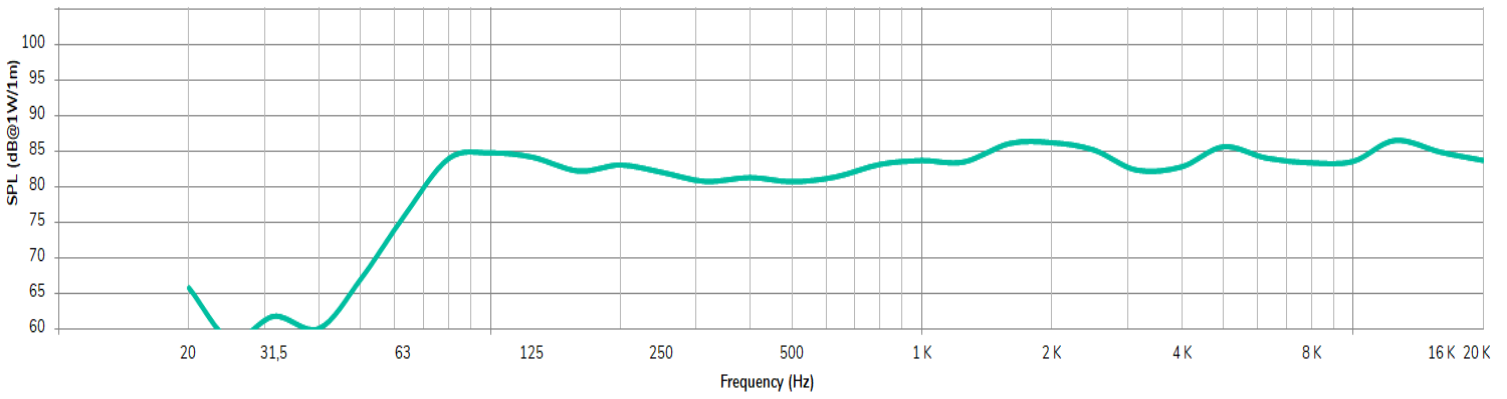
<sup>1</sup> below the sound pressure level at specified sensitivity

<sup>2</sup> 6dB below the sound pressure level than that at the direction of maximum level, Max. angle between 1 kHz and 4 kHz.

<sup>3</sup> Measured on-axis, far field and referenced to 1 meter by inverse square law. Average from 100 Hz to 10 kHz.

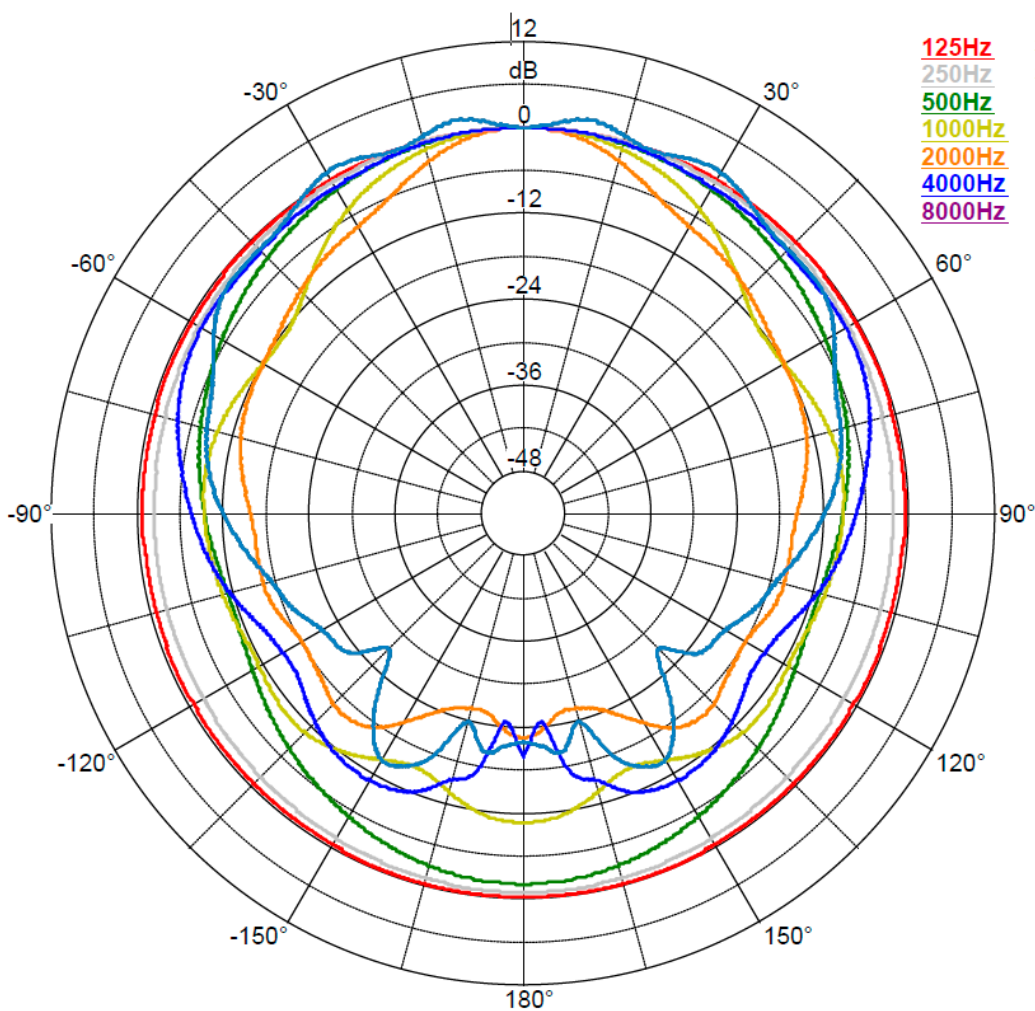
<sup>4</sup> Calculated from sensitivity and power handling specifications, exclusive of power compression

FREQUENCY RESPONSE ON-AXIS

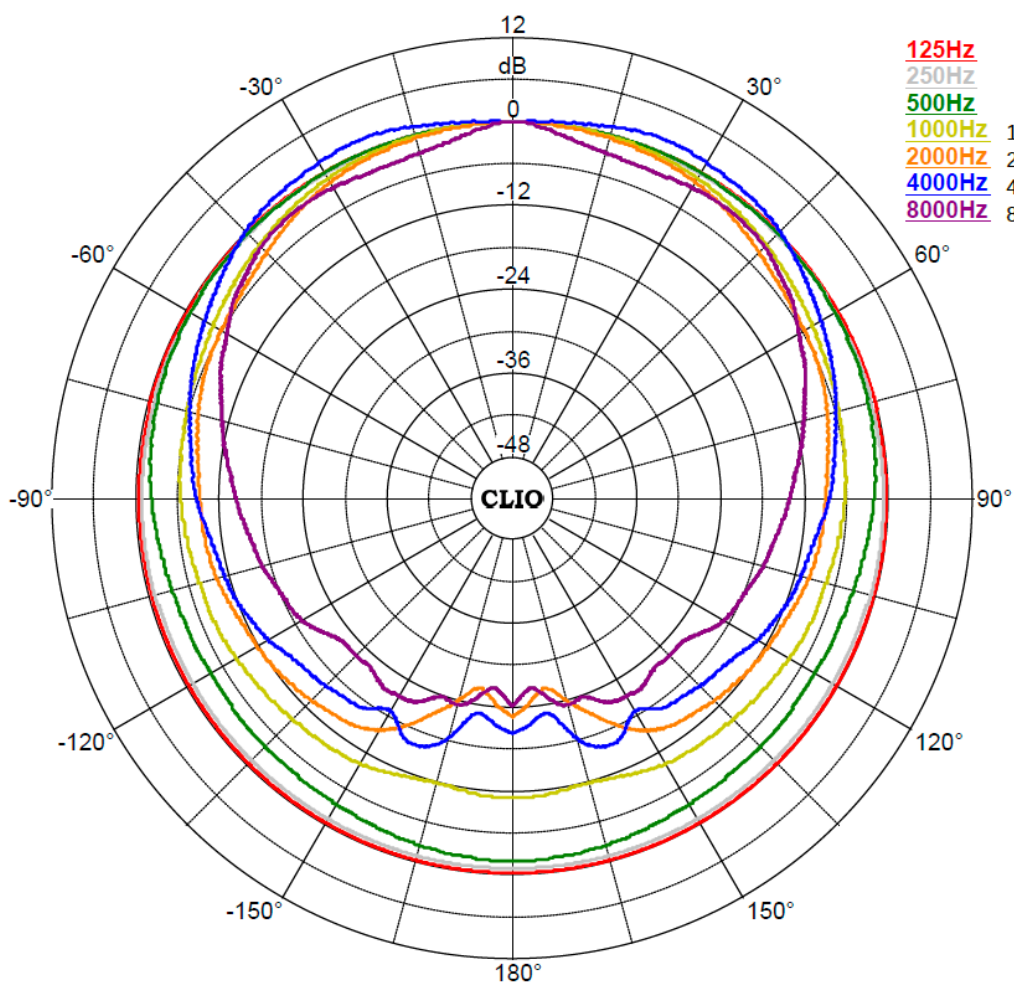


POLAR DIAGRAMS

HORIZONTAL



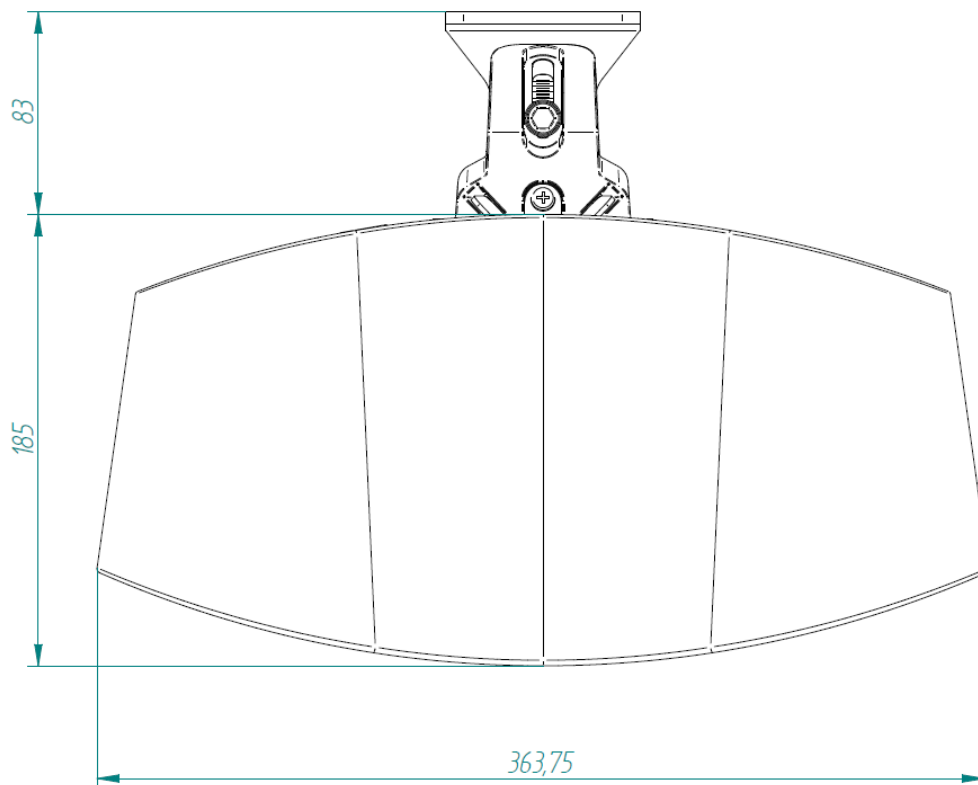
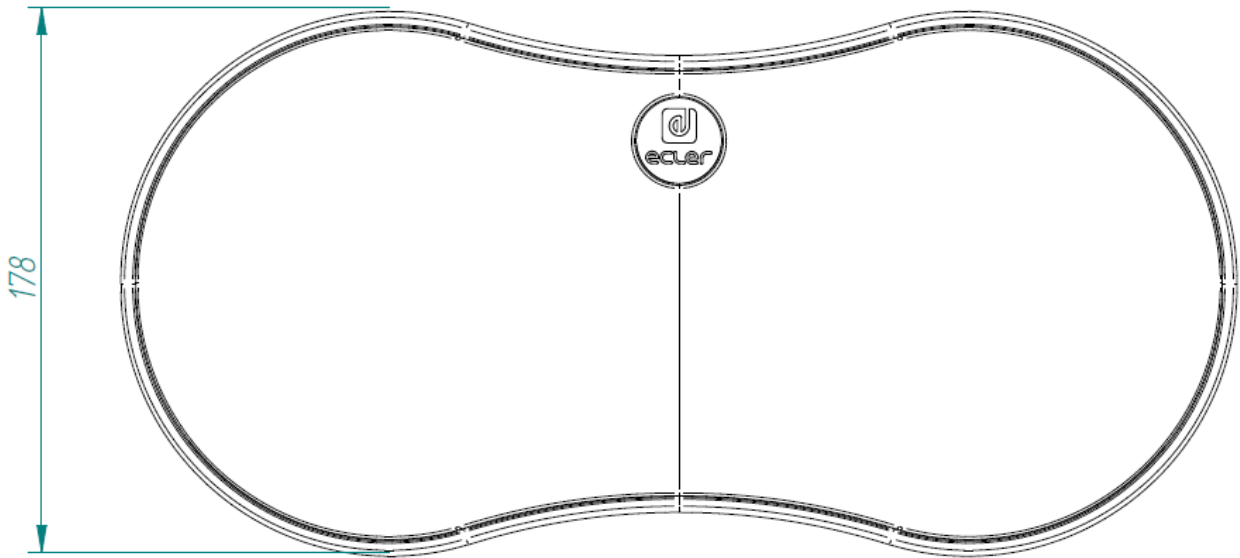
VERTICAL

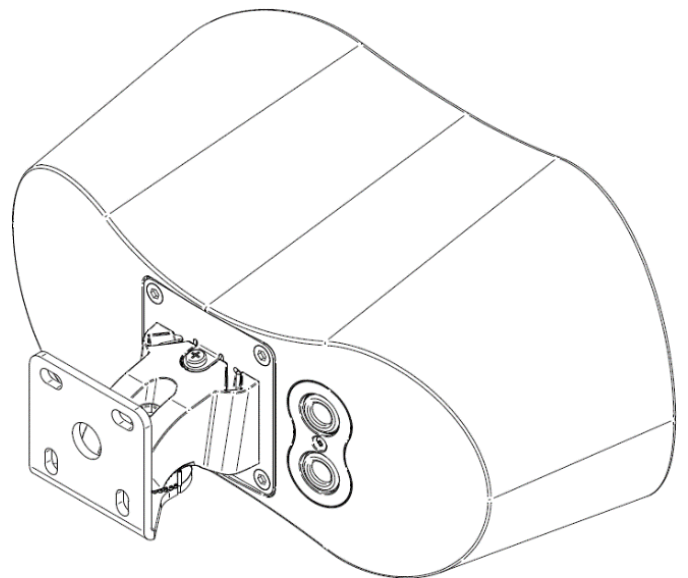
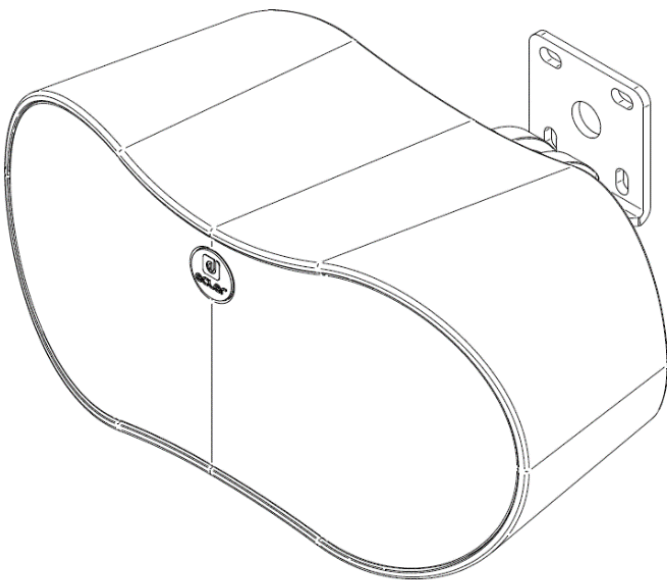
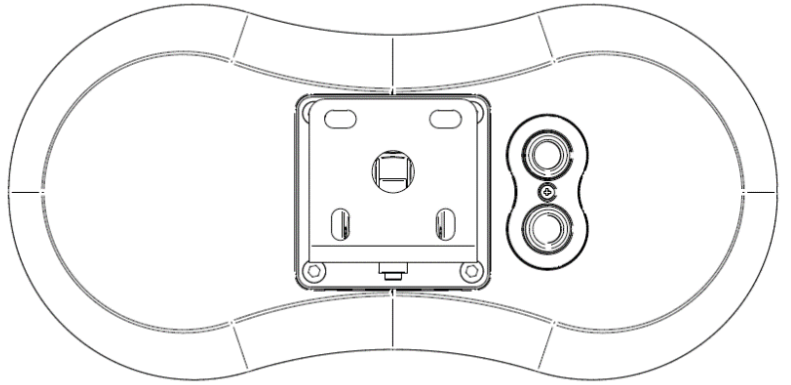
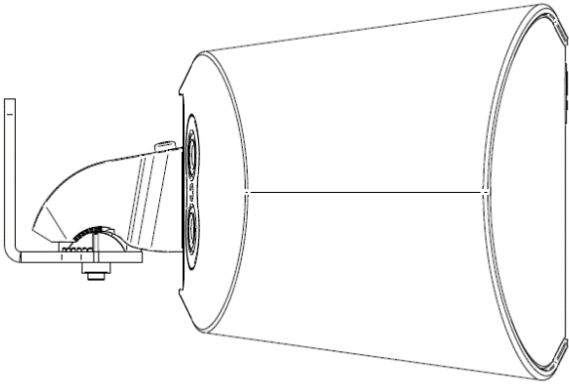


	BW	Q	Di
125Hz	125	360	1,1
250Hz	250	360	1,2
500Hz	500	360	1,5
1000Hz	1000	162	2,8
2000Hz	2000	127	3,7
4000Hz	4000	149	2,2
8000Hz	8000	116	4,9

MECHANICAL DIAGRAM

All measures in mm.





## A&E SPECIFICATIONS

The loudspeaker shall be a 2-way loudspeaker cabinet, incorporating 2x 4" woofers with 4-layer voice coil and 1" silk tweeter with neodymium magnet and ferrofluid. It shall have a power handling of 80 W RMS with a peak power handling of 320 W and the effective frequency range ( $\pm 10$  dB) shall be from 62 Hz to 20 kHz. Crossover filter shall be at 1,65 kHz. The sensitivity shall be 84 dB when measuring with an input signal of 1 Watt at a distance of 1 meter, while the maximum continuous sound pressure level shall be 109 dB.

The coverage angle shall be  $167^\circ \times 162^\circ$ . The loudspeaker shall have a switch located behind the logo, which allows to modify its impedance between  $4\Omega$  or  $16\Omega$  without removing the aluminium front grille. It shall have a non-resonant enclosure constructed out of ABS reinforced with fibreglass. The front finishing shall be made with an overlapping front aluminium grill with a rotatable logo, giving a slim and elegant impression. It shall include a VEASY wall-mount bracket, and 2x Euroblock connectors.

The full range system's enclosure shall be 364 mm wide, 178 mm high and 185 mm deep and the weight shall not exceed 3 Kg.

The loudspeaker shall be the ECLER NIMBO-24.



All product characteristics are subject to variation due to production tolerances. **NEEC AUDIO BARCELONA S.L.** reserves the right to make changes or improvements in the design or manufacturing that may affect these product specifications

For technical queries contact your supplier, distributor or complete the contact form on our website, in [Support / Technical requests](#).

Motors, 166-168 - 08038 Barcelona - Spain | Tel. (+34) 932238403 | [information@ecler.com](mailto:information@ecler.com) | [www.ecler.com](http://www.ecler.com)