

AUDEO106

CABINET LOUDSPEAKERS

Surface mount Loudspeaker



PRODUCT OVERVIEW

AUDEO106 is a 2-way, 50 WRMS loudspeaker cabinet. It features a 6.5" woofer and 1" tweeter.

AUDEO series has a balanced, innovative design, resulting from the collaboration between Ecler and the prestigious group Giugiaro Design. It satisfies today's demands with respect to aesthetics, design and integration into all types of architectural environments which, together with its excellent sound quality, make this series the ideal solution for use in numerous sound projects.

KEY FEATURES

- Full range, 2-way loudspeaker, 50 WRMS
- 6,5" woofer / 1" tweeter
- Made of reinforced ABS
- Available in black or white
- 8 ohms and 70/100 V line operating switch
- Accessories for wall-mounting included
- IP54 class outdoor rating
- Protective front grill with anti-rust treatment
- EASE Win file available



APPLICATIONS

- Corporate and residential buildings
- Commercial premises
- Leisure centres
- Sound reinforcement in clubs, bars, etc.
- Health and sport centres
- Meeting and conference rooms
- Auditoriums, museums

TECHNICAL SPECIFICATIONS

AUDEO106

System	
Effective frequency range ¹	106 Hz-20 kHz
Coverage angle ²	120°x120° (HxV)
Power handling	50 W RMS / 200 W Peak
Sensitivity ³	90 dB (1W/1m)
Maximum SPL ⁴	107 dB continuous / 113 dB peak
Power options	100V: 30W / 15W / 7,5W / 5W / 8Ω 70V: 15W / 7,5W / 5W / 2,5 / 8Ω
Recommended amplifier power	100 W RMS
Transducers	
Ways	2
Low frequency driver	6,5" woofer
High frequency driver	1" tweeter
Nominal impedance	8Ω
Physical	
Installation options	Wall
Environmental	IP54 rated
Enclosure material	Reinforced ABS
Mounting system	Cabinet
Included accessories	Wall mounting accessories
Finished colour	White (RAL 9003) or black (RAL 9005)
Dimensions (WxHxD)	Without accessories: 241 x 244 x 163 mm / 9.49 x 9.61 x 6.42 in.
Weight	2.3 kg / 5.07 lb

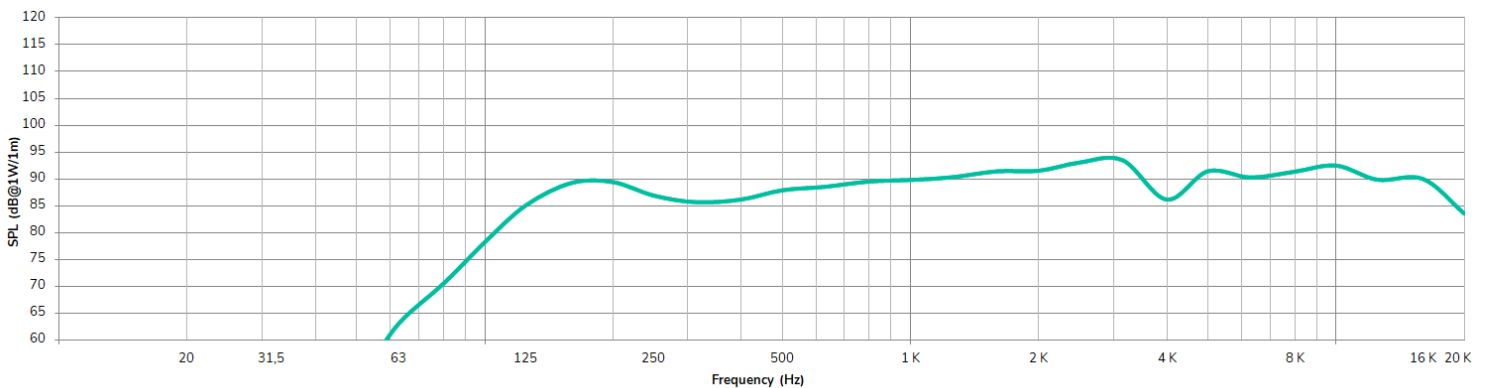
¹ 10dB below the sound pressure level at specified sensitivity

² 6dB below the sound pressure level than that at the direction of maximum level, Average from 1 kHz to 4 kHz.

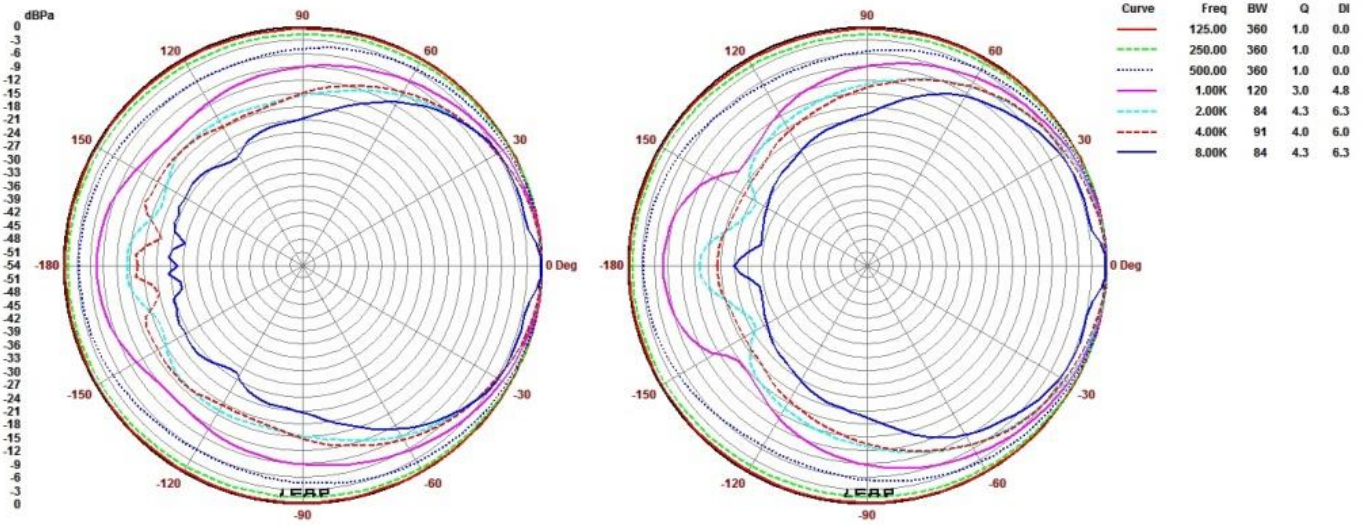
³ Measured on-axis, far field and referenced to 1 meter by inverse square law. Average from 100 Hz to 10 kHz.

⁴ Calculated from sensitivity and power handling specifications, exclusive of power compression

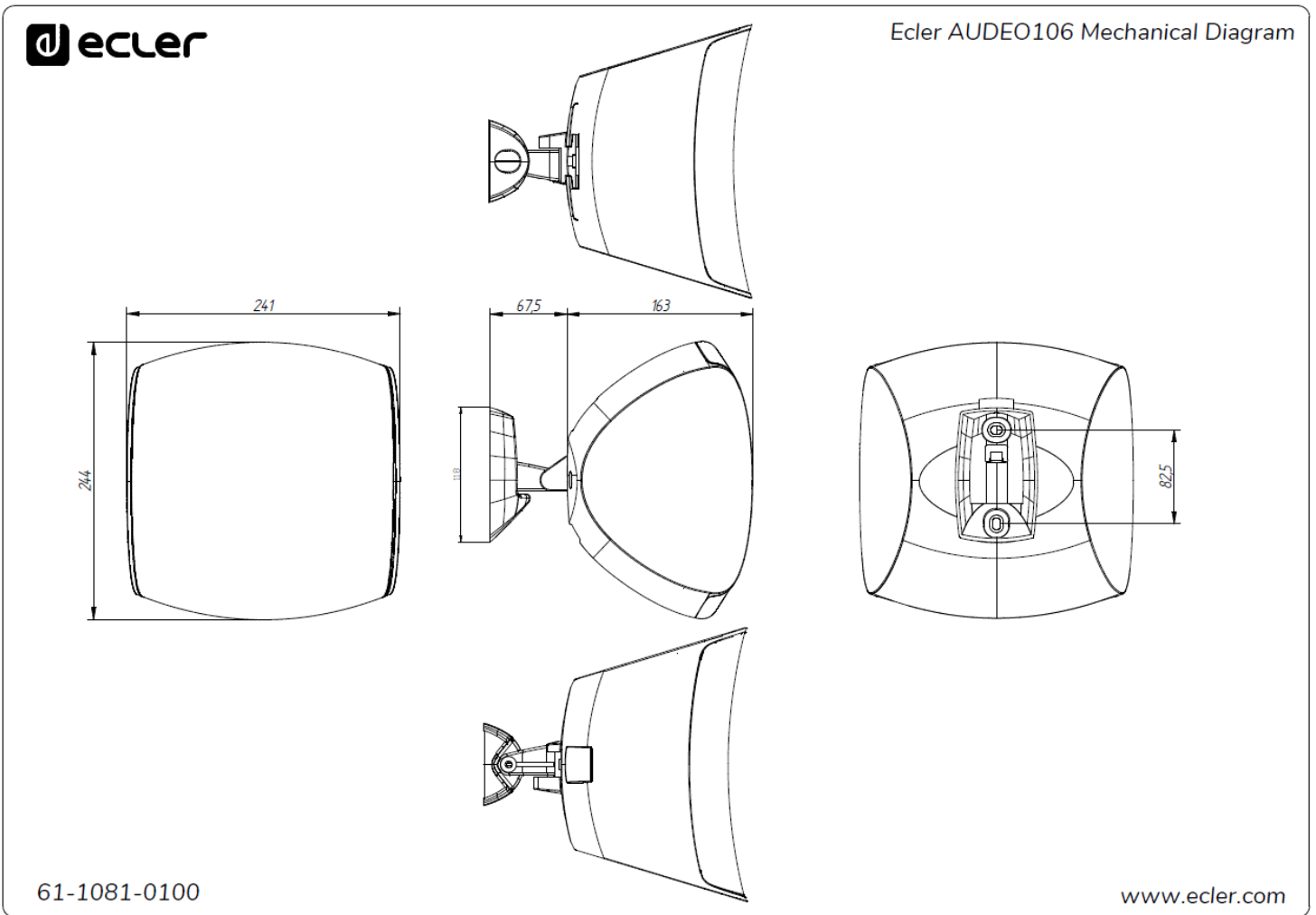
FREQUENCY RESPONSE



POLAR DIAGRAMS



MECHANICAL DIAGRAM



All the measurements are in mm



All product characteristics are subject to variation due to production tolerances. **NEEC AUDIO BARCELONA S.L.** reserves the right to make changes or improvements in the design or manufacturing that may affect these product specifications.

For technical requests address to your supplier, distributor or fill the contact form in our website, at [Support / Technical Request](#).

Motors, 166-168 08038 Barcelona - Spain - (+34) 932238403 | information@ecler.com | www.ecler.com